

Australec RCBO - With Tails



RCDBM1

Residual Current Circuit Breaker with Overcurrent Protection

Description

- Provides protection against earth fault / leakage current, short-circuit, overload, and isolation function
- Effectively protects electric equipment against insulation failure
- Provides comprehensive protection to residential and commercial distribution systems
- Provides protection against over-voltage

Features

- Fast Closing
- High short-circuit capacity
- Contact position indication
- Transparent label cover
- MCB can be locked in "On" or "Off" position

Certification & Compliance

- SAA Certified
- RCM & CE

The RCDBM1 has a 10kA short-circuit capacity, making it suitable for use in several commercial applications

All statements, technical information, and recommendations related to Australec's products are based on information believed to be reliable, but the accuracy or completeness is not guaranteed. Before using this product, you must evaluate it and determine if it is suitable for your intended application.



Australec
SWITCHGEAR®

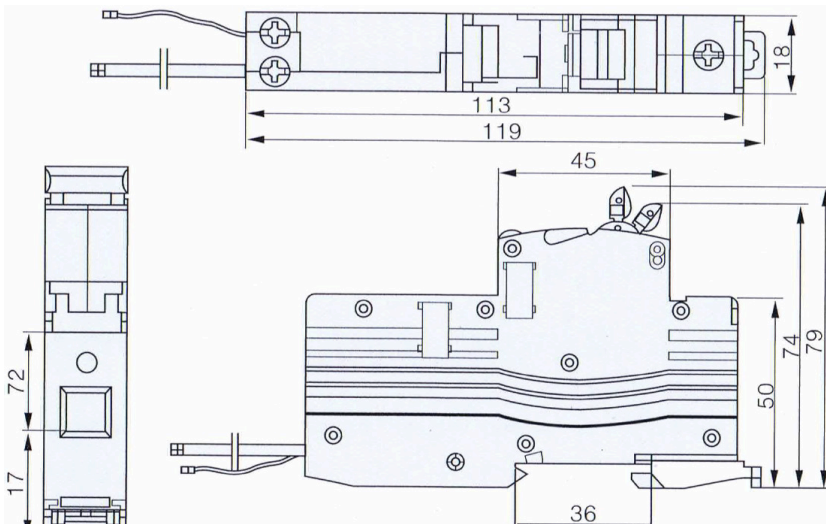
66 Endeavour Way, Sunshine West VIC 3020 AUSTRALIA
PHONE: 1300 734 508 | FAX: 1300 734 608
EMAIL: info@australec.com.au
WEB: www.australec.com.au

Australec RCBO - With Tails

Specifications

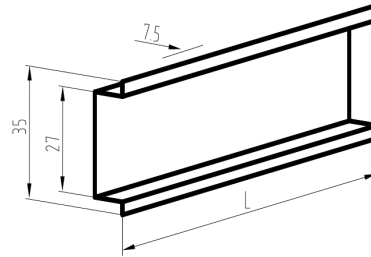
| Property | Specification |
|--------------------------------------|---------------------------------------------------------------------------|
| Residual Current Characteristics | AC |
| Pole No. | 1P+N |
| Tripping Curve | B, C |
| Rated short-circuit capacity | 10000A |
| Rated current (A) | 16, 20 (RCDMB116, RCDMB120) |
| Rated voltage | 230V AC |
| Rated frequency | 50/60Hz |
| Rated residual operating current (A) | 0.03, 0.1 |
| Tripping duration | Instantaneous < 0.1s |
| Electro-mechanical Endurance | 4000 cycles |
| Connection terminal | Pillar terminal with clamp |
| Connection capacity | Flexible conductor 10mm ² Rigid conductor 16mm ² |

Dimensions



Mounting

Symmetrical 35mm DIN Rail

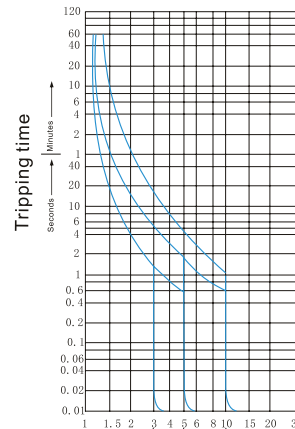


Ordering

Part Number:
16A - RCDMB116
20A - RCDMB120

Carton Qty - 40
Barcode - GTIN-13

Tripping Curve



Multiple of rated current →
B: Non-Inductive or Micro Inductive
C: Protecting normal specification load and distribution cable

For further information please contact Australec Switchgear or your nearest Australec Switchgear dealer.